

## FSL100 SCALPING SCREEN



### THE FSL100 IS A HEAVY DUTY SCALPING SCREEN DESIGNED FOR THE MOST DIFFICULT OF APPLICATIONS

The FSL100 scalping screen is one of the most robust and reliable scalping screens on the market. Built to handle the toughest of applications, the FSL100 comes with a double deck vibrating screen and the longest stockpiling conveyor available.

The FSL100 can be shipped worldwide in a standard 40' container thus keeping shipping costs to a minimum.

#### FEATURES & BENEFITS

- STAGE 3A JCB 444 DIESELMAX 63KW (84HP)
- ROBUST CHASSIS & TRACK
- MAXIMUM DURABILITY
- ANGLE ADJUSTABLE VIBRATING GRID
- TIPPING FUNCTION ACTIVATED HYDRAULICALLY
- CONVEYOR BELT – 3PLY 1050MM (42") WIDE (PLAIN OR CHEVRON)

#### OPTIONS

- VIBRATING GRID WING EXTENSIONS
- WEAR RESISTANT HOPPER LINERS
- RADIO REMOTE CONTROL
- DUST COVERS
- DUST SUPPRESSION NOZZLES

#### WEIGHT

19,500 KG / 21.5 US TON

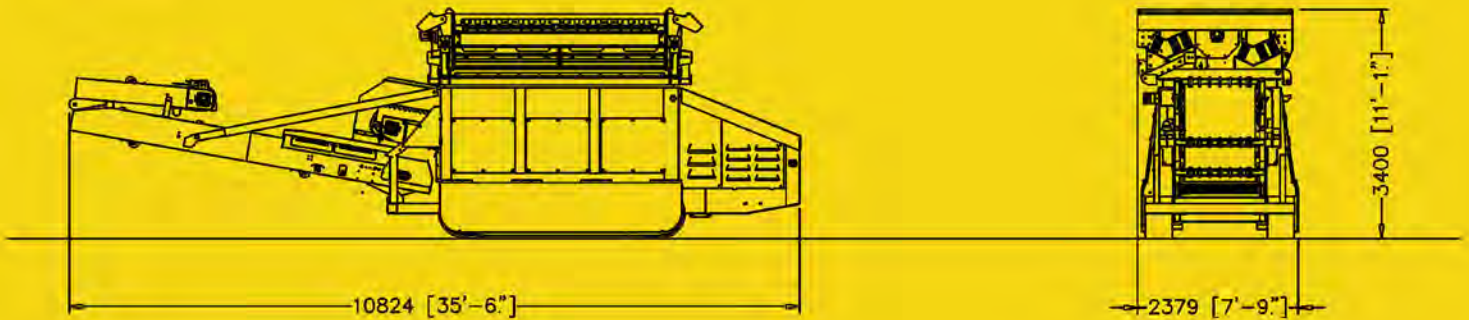


# ANACONDA<sup>®</sup> USA Inc.

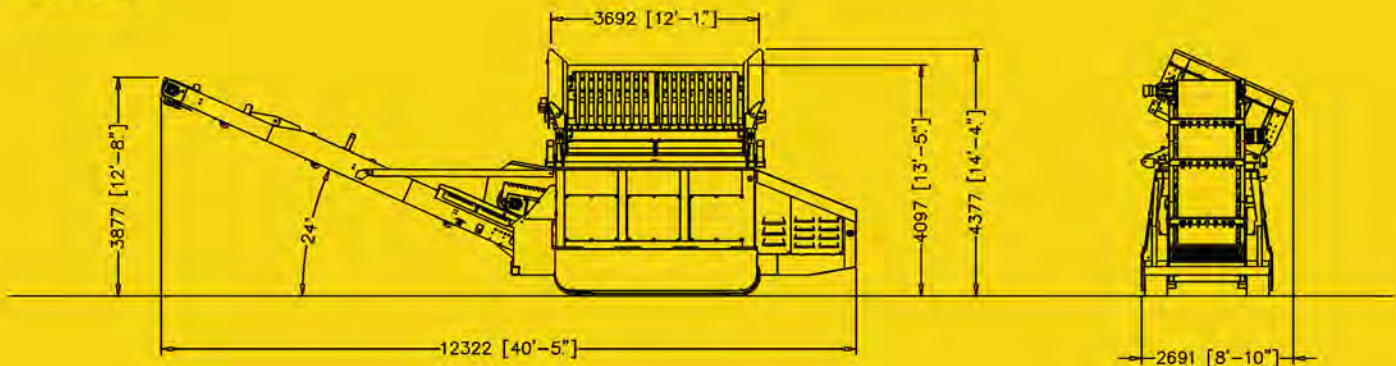
CRUSH | SCREEN | STACK

## FSL100 SCALPING SCREEN

### TRANSPORT



### WORKING



THE FSL100 IS IDEAL FOR SCALPING ROCK AS A PRE SCREEN FOR CRUSHING OR FOR SCREENING OUT SINGLE SIZES WHEN REQUIRED.

**ANACONDA SELLS AND DISTRIBUTES THE FULL RANGE OF EQUIPMENT THROUGH A LOCAL DEALER NETWORK.**

**FOR YOU NEAREST DEALER PLEASE CONTACT US OR VISIT OUR WEBSITE.**

**ANACONDA<sup>®</sup>**  
CRUSH | SCREEN | STACK



**Anaconda USA, Inc.**

Mailing Address  
P.O. BOX 358  
Bellingham, MA 02019

Physical Address  
47 South Maple Street  
Bellingham, MA 02019

TEL: 800-285-5721  
FAX: 508-657-1632  
WEBSITE: [www.anacondausa.com](http://www.anacondausa.com)



DEALER STAMP HERE

CURRENT MODELS MAY DIFFER FROM THOSE FEATURED IN THIS BROCHURE. ANACONDA RESERVES THE RIGHT TO MAKE CHANGES TO THE PRODUCT DESIGN WITHOUT RESERVATION AND WITHOUT NOTIFICATION

**ANACONDA SCALPING SCREEN**