



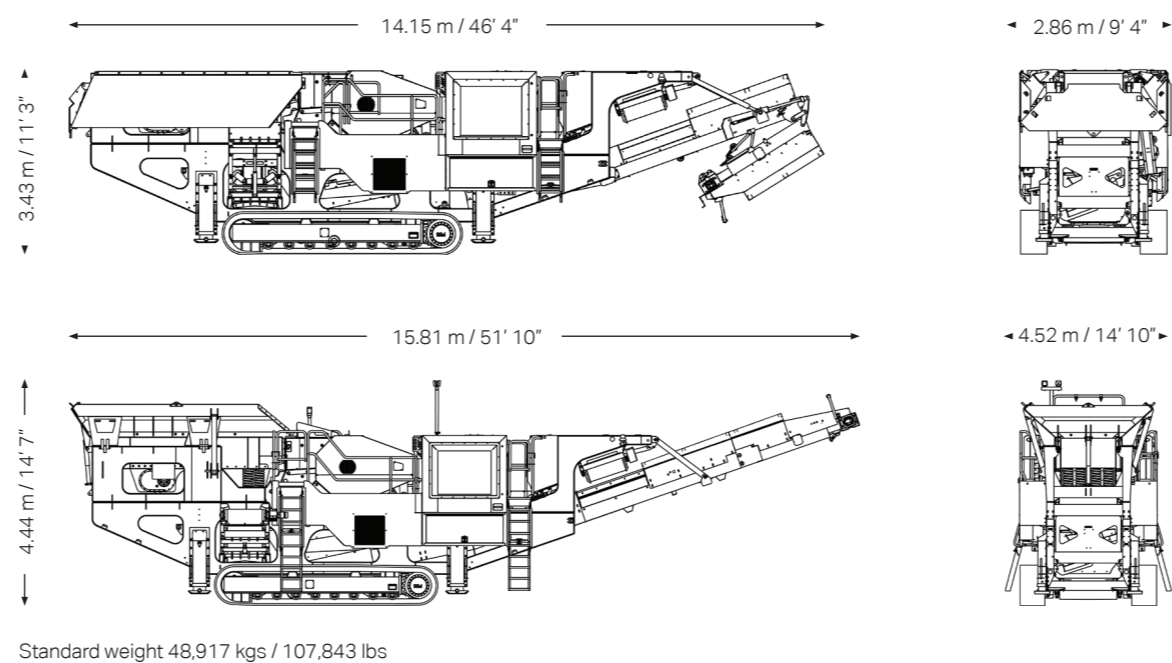
Optional hydraulic breaker arm with hammer and hopper extensions available



# SANDVIK QJ341 JAW CRUSHER

## TECHNICAL SPECIFICATIONS

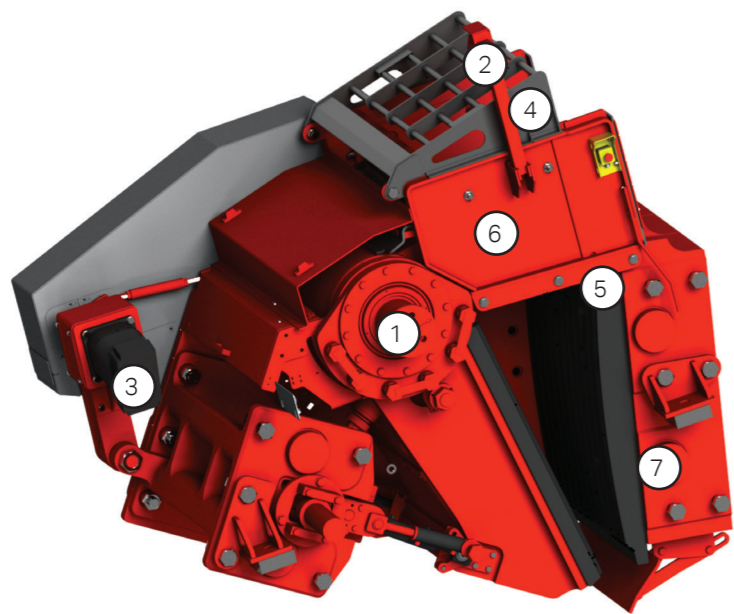
KEY SPECIFICATIONS	DATA	KEY SPECIFICATIONS	DATA
Crusher		Power pack	
Type	Single toggle C12 jaw	Engine	CAT C9.3B Stage 5 / T4F 280 kW / 375 hp CAT C9 T3 261 kW / 350 hp
Feed opening	1.20 m x 750 mm / 47" x 29"	Diesel tank capacity	660 litres / 174 USG
Speed	264 - 283 rpm	Hydraulic tank capacity	660 litres / 174 USG
Adjustment type	Hydraulic wedge		
CSS range	50 - 160 mm / 2" - 6"	Note. All weights and dimensions are for standard units only	



1 Heavy duty shaft and bearings with automatic greasing system as standard

2 Level sensor to optimize feed rate into the crusher

3 Heavy duty torque arm and bent axis motor providing a robust drive and easy belt adjustment



4 Jaw guard to withstand heavy forces of ejected material from the jaw

5 Optitooth™ jaw plates fitted as standard

6 Extended cheek plates to reduce blockages in chamber and add rigidity and strength to crusher feed chute

7 Bolted mainframe for maximum strength and durability

ROCKPROCESSING.SANDVIK

BE-325 ENG © Sandvik Mobile Crushing and Screening 2021 SANDVIK is a registered trademark owned by Sandvik Intellectual Property AB in Sweden and other countries. Subject to change without notice.



# QJ341 JAW CRUSHER

KEY SPECIFICATIONS	DATA
Equipment	Single toggle C12 jaw
Feed opening	1.20 m x 750 mm / 47" x 29"
Maximum feed size	650 mm <sup>3</sup> / 25.6 inch <sup>3</sup>
Engine	CAT C9.3B Stage 5 / T4F 280 kW / 375 hp CAT C9 T3 261 kW / 350 hp
Transport dimensions	14.15 m / 46' 4" (l) 2.86 m / 9' 4" (w) 3.43 m / 11' 3" (h)
Weight	48,917 kgs / 107,843 lbs

## WORLD LEADING JAW CRUSHER

The QJ341 is the flagship of the range and one of the best selling track mounted jaw crushers in the world today.

The largest in the Sandvik Q-Range range of jaw crushers, it has been designed to meet the needs of the operator seeking a high performance mobile jaw crusher which is both reliable and durable. With a large feed opening and unique high crushing speed it is capable of delivering high outputs with excellent reduction ratios.

The powerful jaw crusher is capable of handling the most challenging of quarry applications but equally capable in the recycling segment with its large under-belt clearances and is equipped with a hydraulic raise and lower facility on the main conveyor as standard.


### FEATURES INCLUDE:

- Emissions compliant engine, plant designed for optimum fuel economy and low operating costs
- Automatic central lubrication system to reduce maintenance time
- 50°C ambient temperature capability without the need for a change of oil
- Reverse crushing action to relieve blockages, crush sticky problematic materials and asphalt
- Jaw level sensor included for optimum regulation of material flow into the crusher
- Natural fines conveyor water pump and spray bar system for environmental dust suppression

- ② Feeder
- Large capacity vibrating variable speed stepped grizzly feeder
  - Improved load control system for the feeder drive to ensure continuous, uninterrupted crushing

- ① Hopper
- Reinforced hopper with hydraulically folding doors for quick setup
  - Wear resistant liner plates

- ③ Jaw
- High performing 1.20 m x 750 mm / 47 x 29" jaw
  - Hydraulically adjustable CSS for a variety of applications
  - Hydraulically driven with reversible crushing action to relieve blockages and for crushing asphalt
  - Level sensor fitted to jaw to optimize feed rate into the crusher

- ④ Power pack
- Emissions compliant engine
  - Easy access to engine compartment for service and maintenance
  - Ground level drainage points
  - Large capacity 660 litre / 174 USG diesel tank
  - My Fleet telematics 

- ⑤ Cooling fan
- Hydraulically driven cooling fan with auto reverse to back flush dust from radiator

- ⑥ Main conveyor
- 1.00 m / 39" wide conveyor with a discharge height of 3.89 m / 12' 9"
  - Hydraulic raise / lower facility to give increased clearance for rebar discharge in recycling applications
  - Tunnel arrangement to reduce catchment points in recycled materials
  - Speed wheel fitted to the main conveyor to stop the feeder
  - Overband magnet removes rebar for recycling and demolition applications
  - Dust suppression spray bars fitted as standard
  - Canvas covers

- ⑦ Chassis
- Heavy duty fabricated chassis on a tracked frame
  - Hydraulic legs for increased stability and servicing capabilities (optional)

- ⑧ Control system
- Highly efficient hydraulic and electrical system provides ultimate system control
  - User friendly PLC control system with colour screen for full automated control

- ⑨ Tracks
- 500 mm / 20" wide tracks driven by proportional umbilical control
  - Radio remote control, proportional tracking as standard

- ⑩ Steel pipework (other side of machine)
- Provides a safe and maintenance-free sealing solution, combined with better heat dissipation

- ⑪ Natural fines conveyor
- Belt width 650 mm / 26"



### STANDARD FEATURES



Hydraulic raise / lower facility on main conveyor for increased clearance



User friendly PLC control system with colour screen



Telescopic natural fines conveyor



Easy access to engine department



Three position by-pass chute



Long main conveyor for massive stockpiling