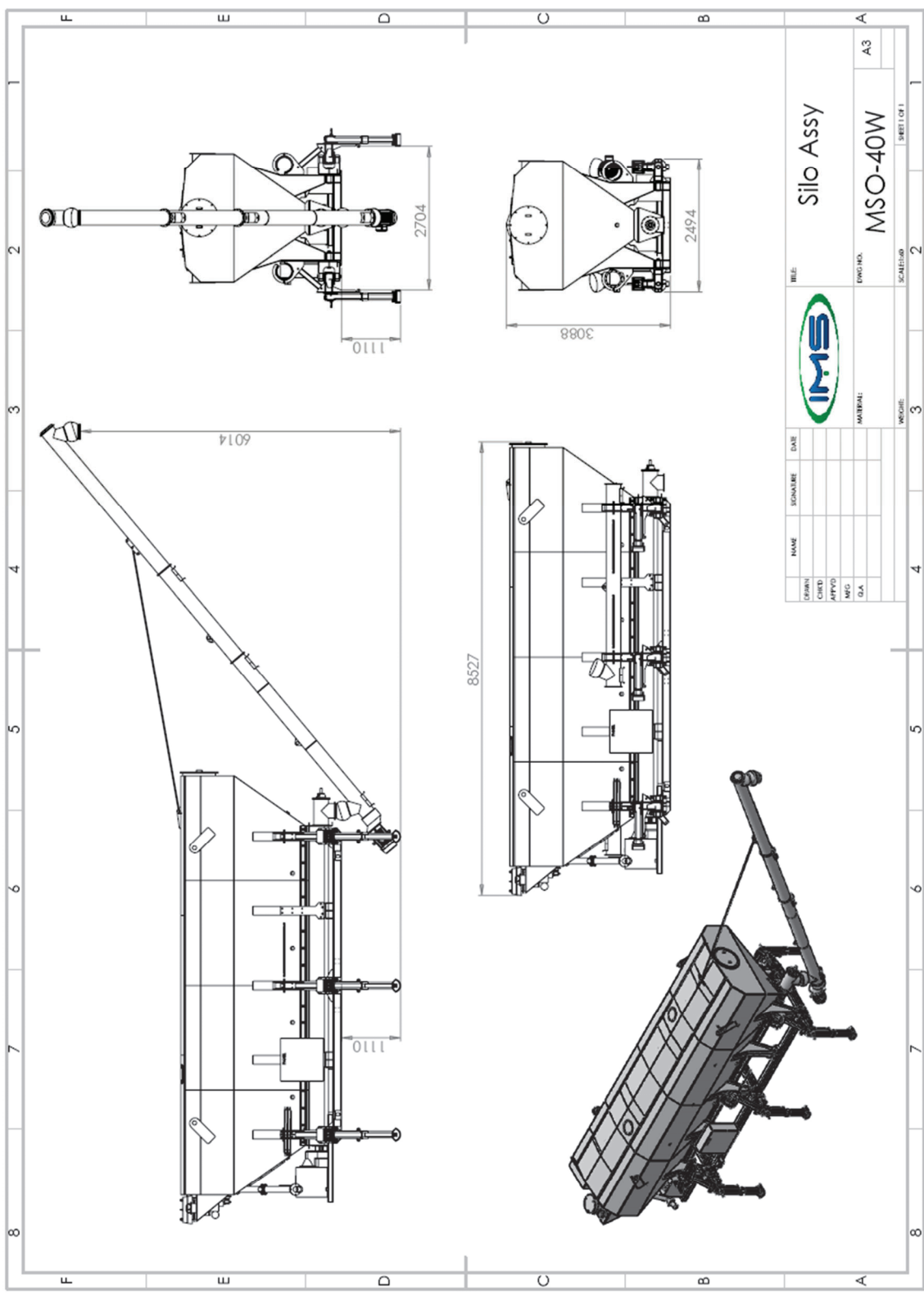




MSO-40

40 Tonne Silo





TITLE: Silo Assy		SCALE: 1:1	SHEET OF 1	
DWG. NO. MSO-40W		A3		
MATERIAL:		WEIGHT:		
DESIGN	DATE	NAME	SIGNATURE	DATE
CHECKED				
APPROVED				
MFG				
D.A.				



### **Standard Features**

40 Tonne Silo  
Static Unit  
Manual Jacklegs

### **Options**

Mobile Unit  
50 kVA Diesel Generator

### **Specifications**

Discharge Height	6.014M (19'8")
Operational Height	4.2M (13'8")
Operational Width	2.5M (8' 3")
Operational Length	8.6M (28'3")
Transport Height	3.1M (10'2")
Transport Width	2.5M (8' 3")
Transport Length	8.6M (28'3")
Weight	8000 kg (17637 lbs)