

SR514 TRACKED RINSING SCREENER

ANACONDA[®]

A McLanahan Company

Specialists in Engineering Solutions for the Recycling and Material Handling Sectors



The Anaconda **SR** Rinsing Screen Range is designed for applications where washing and removing soluble clay and dust coatings from aggregates is essential.

The **SR514 Rinsing Screen** is robust with a high productivity rate as it can screen and stockpile up to 4 different products including 3 grades of aggregate and 1 grade of Sand. Fully equipped with a 14' x 5' Two or Three Deck Screen, 14ft Feed Hopper, Rinser Catchbox and the option of 2 or 3 hydraulically folding stockpiling conveyors.

The **SR514 Rinsing Screen** has a high energy heavy duty screenbox and spray bar system implemented in order to ensure the products get the appropriate water coverage to rinse them thoroughly. Commissioning is as simplistic as possible to help get an operation up and going quickly. Anaconda stock a full range of spare parts as a display of our commitment to provide a dedicated and responsive service to all our customers.



Head Quarters:
Anaconda USA Inc,
P.O. Box 358,
Bellingham,
MA 02019



Contact us :

Tel - +1 (0) 800 285 5721
Fax - +1 (0) 508 657 1632
Email - info@anacondausa.com

SR514 TRACKED RINSING SCREENER

ANACONDA[®]

A McLanahan Company

Specialists in Engineering Solutions for the Recycling and Material Handling Sectors

SPECIFICATIONS AND TECHNICAL DETAILS

Features

- High energy 4.27m X 1.52m (14'X5') 2 or 3 Deck Screen Box
- 3 piece side tensioned top and second deck
- 2 piece end tensioned bottom deck
- Hopper capacity of 6m³ Max volume of 8m³
- Screen-box angle adjustment (22°-34°)
- Screen-box walkways for maintenance and mesh change
- Reversible transfer belt (3 Deck Screen)
- Variable speed on all stockpile belts
- Capable of powering an Anaconda 36' x 25' Single Hydraulic Screw

Weight

- 2 Deck 29.21 US ton w/ Livehead 34.17 US ton
- 3 Deck 31.41 US ton w/ Livehead 36.37 US ton

Engine Options

- T4F – JCB EcoMAX IPU (93Kw)
- Stage 5 – CAT 3.6 (100Kw)

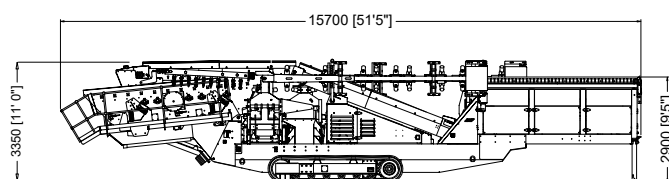
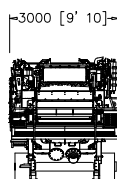
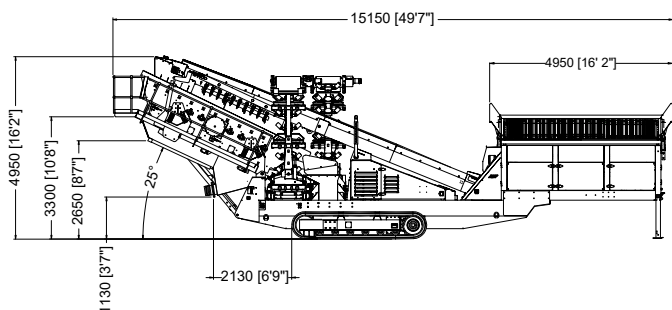
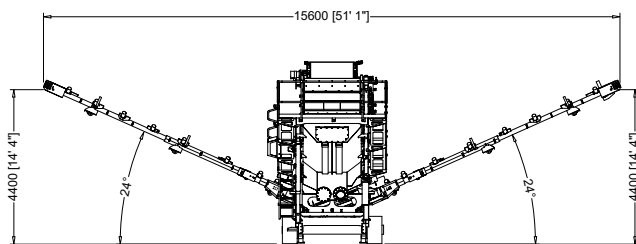
Rinsing Features

- 2 Deck – 33 Polymer Fan/41 Brass Nozzles
- 3 Deck – 33 Polymer Fan/83 Brass Nozzles
- 2 Deck – 1805 LPM (Application Specific)
- 3 Deck – 3485 LPM (Application Specific)
- Rinser Catchbox 10mm 60 shore bonded rubber lining
- Rinser Catchbox 10" Twin Outlet Flanges

Options

- Two deck vibrating grid, Radio remote control, Mesh or Piano wire screen decks

WORKING AND TRANSPORTATION DIMENSIONS (2 Deck)



Anaconda sell and distribute our entire product portfolio via a Dealer Network,
For your nearest dealer please contact us or visit our website.

Anaconda reserves the right to make changes to design without reservation and without notification.

Tonnage estimations are dependent on fractions, material type, size and application.

WWW.ANACONDAEQUIPMENT.COM

FOLLOW OUR SOCIAL MEDIA CHANNELS

