



ULTRAMAX[®] 1400-CV

This highly portable impactor plant is one of the most durable, reliable, and versatile plants for your larger-sized jobs.

PRIMARY FEATURES

- 1 Designed with built-in front-discharge conveyor.
 - » Available in-line electro-magnet installation folds back for transport.
 - » Hydraulic lift and leveling system enables quick set up and tear down by using the hydraulic run-on legs.
- 2 Totally self-contained, reliable diesel/electric or all-electric power. You won't have to worry about hydraulic leaks and failures shutting you down.
 - » Features the industry's only LIFETIME ROTOR WARRANTY on its solid-steel, three-bar, sculptured rotor—the industry's heaviest—to keep you up and crushing.*

* North America only.



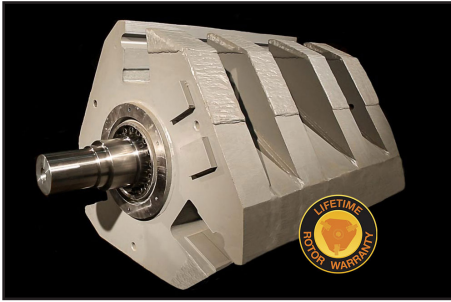
ADDITIONAL FEATURES

- » Features standard grizzly bypass chute and available cross-belt conveyor with flop gate to allow for either removal of the material that passes through the grizzly deck for stockpiling or blending back with the crushed material.
- » Features unique two-step, 5' grizzly deck to remove fines before crushing.
- » Replaces dual crusher systems for a much lower initial investment and for greatly reduced maintenance, fuel and transportation costs.
- » Includes removable electrical control panel featuring pre-wired receptacles for radial stackers.
- » Manage the feeder speed for complete control of the flow of material into the impactor with Variable Frequency Drive (VFD).
- » Includes wireless remote control for the feeder shutdown and all motor stop.



ULTRAMAX® 1400-CV

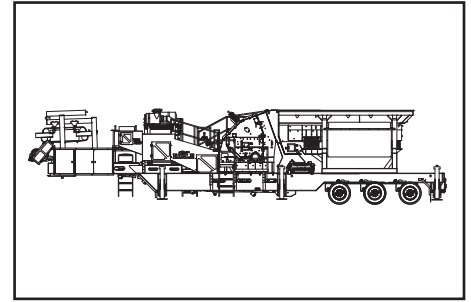
CV refers to the discharge conveyor coming straight out from the front of the impactor plant.



Solid-steel, three-bar, sculptured rotor with LIFETIME ROTOR WARRANTY, North America only.



Hydraulic lift and leveling system enables quick set up and tear down.



1400-45 CV PORTABLE IMPACTOR PLANT TECHNICAL SPECIFICATIONS*

Model	
Impactor	UM-45
Operating Length	59' 0" / 18.0M
Gross Weight	132000lbs / 59874kg
Travel Length	54' 4" / 16.6M
Travel Width	11' 8" / 3.6M
Travel Height	13' 5" / 4.1M
Feed Hopper Capacity	19yd ³ / 14.5M ³
Feed Hopper Capacity (Tons)	25.7T / 23.3MT
Vibrating Feeder	18' x 57" / 5.5M x 1.5M
Feeder Grizzly Deck	60" long 2 step / 1524mm 2 step
On-Plant Power Supply Diesel	500HP / 373kW diesel engine and 200kW generator
On-Plant Power Supply Electric	400HP / 298kW all-electric power
Discharge Conveyor Width	42" / 1067mm
Discharge Conveyor Height	8' 7.5" / 2623mm

ULTRAMAX® IMPACTOR MODEL AND SPECIFICATIONS*

Model	Diameter x Width		Width x Height		Power Required (HP / kW)	Approx. Weight (lbs / kg)	Rotor Weight (lbs / kg)	Production Capacity**
	Rotor (Inches / Millimeters)	Feed Opening (Inches / Millimeters)	Width (Inches / Millimeters)	Height (Inches / Millimeters)				
UM-45	50 x 56 / 1270 x 1422	56 x 35 / 1422 x 889	300 - 400 / 224 - 298	40100lbs / 18200kg	17600lbs / 8000kg	Varies by application.		

*Design specifications subject to change without notice.

**Contact your Eagle Sales Representative with your specific application for anticipated production capacity.

Call 800-25-EAGLE (800-253-2453) or visit www.EagleCrusher.com
 P.O. Box 537, Galion, OH 44833 • 419-468-2288 • fax: 419-468-4840 • email: sales@eaglecrusher.com

