



ULTRAMAX® 1600-OC

The Eagle Crusher 1600-69 OC is the largest UltraMax® impactor plant—a mammoth in the industry—for your largest-sized jobs.

PRIMARY FEATURES

- » Available with a separate side-discharge conveyor (OC model) or with a built-in front-discharge conveyor (CV model). You decide, depending on your set-up requirements.
- 1** Available in-line electro-magnet.
- » Hydraulic lift and leveling system for set up and tear down.
- » Designed for all-electric power.
- 2** Side-discharge conveyor includes a pan feeder, receiving hopper, replaceable liners, and optional full-length skirtboards.
- 3** The electrical control panel for the crusher and the auxiliary plant equipment are designed to be free standing for ease of placement on the job.
- » Features the industry's only LIFETIME ROTOR WARRANTY on its solid-steel, three-bar, sculptured rotor—the industry's heaviest—to keep you up and crushing.*

* North America only.



ADDITIONAL FEATURES

- » Replaces dual crusher systems for a much lower initial investment and for greatly reduced maintenance, power and transportation costs.
- » Features standard grizzly fines conveyor that allows material that passes through the grizzly to be discharged from the plant for stockpiling.
- » Features unique one-step, 5' grizzly deck to remove fines before crushing.
- » Available grizzly cross conveyor for both OC (side-discharge unit) and CV model (front-discharge unit).
- » Side-discharge conveyor is available in road-portable version.
- » Manage the feeder speed for complete control of the flow of material into the impactor with Variable Frequency Drive (VFD).
- » Includes wireless remote control for the feeder shutdown and all motor stop.



ULTRAMAX® 1600-OC

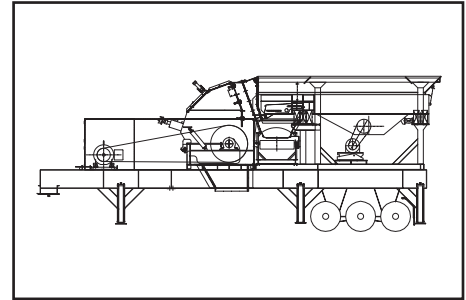
OC refers to a separate discharge conveyor coming out of the side of the impactor plant at a 90-degree angle.



Features standard grizzly bypass chute and available cross-belt conveyor with flop gate.



Designed for all-electric power.



1600-69 OC PORTABLE IMPACTOR PLANT TECHNICAL SPECIFICATIONS*

Model	
Impactor	UM-69
Operating Length	48' 3.5" / 14.7M
Gross Weight	170000lbs / 77100kg
Travel Length	44' 0" / 13.4M
Travel Width	11' 11" / 3.6M
Travel Height	13' 5" / 4.1M
Feed Hopper Capacity	27yd ³ / 20.6M ³
Feed Hopper Capacity (Tons)	36.5T / 33.2MT
Vibrating Feeder	20' x 68" / 6.1M x 1.7M
Feeder Grizzly Deck	60" long 1 step / 1524mm 1 step
On-Plant Power Supply Electric	500HP or 800HP option / 373kW or 800kW option all-electric power
Side-discharge conveyor Width	54" / 1372mm
Discharge Conveyor Height	8' 11.5" / 2730mm

ULTRAMAX® IMPACTOR MODEL AND SPECIFICATIONS*

Model	Diameter x Width		Width x Height		Power Required (HP / kW)	Approx. Weight (lbs / kg)	Rotor Weight (lbs / kg)	Production Capacity**
	Rotor (Inches / Millimeters)	Feed Opening (Inches / Millimeters)	Width (Inches / Millimeters)	Height (Inches / Millimeters)				
UM-69	56 x 68 / 1422 x 1727	69 X 36 / 1753 x 914	400 - 600 / 298 - 447	61000 / 27700	26100 / 11800	Varies by application		

*Design specifications subject to change without notice.

**Contact your Eagle Sales Representative with your specific application for anticipated production capacity.

Call 800-25-EAGLE (800-253-2453) or visit www.EagleCrusher.com
525 South Market St., Galion, OH 44833 • 419-468-2288 • fax: 419-468-4840 • email: sales@eaglecrusher.com

Rev 07/2022

EAGLE CRUSHER®

©2022 Eagle Crusher Company, Inc.