



2036 JAW

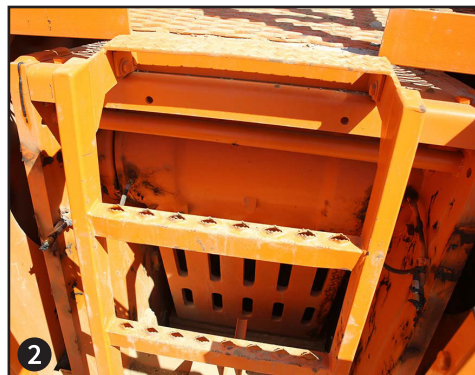
The Eagle 2036 portable jaw crusher provides high strength construction without unnecessary weight making this crusher ideal for portable and skid-mounted applications.

PRIMARY FEATURES

- » Hydraulic grizzly dump-over hopper is available for removing oversized material.
- 1 Grizzly bypass chute with flop gate allows for either removal of the material that passes the grizzly deck onto an available cross-belt conveyor for stockpiling or for blending with the crushed material.
- » Hydraulic lift and leveling system enables quick and easy set up and tear down.
- » Totally self-contained, reliable diesel/ electric or all-electric power. You won't have to worry about hydraulic leaks and failures shutting you down.
- 2 Eagle 2036 Jaw Crusher.

ADDITIONAL FEATURES

- » Built rock solid with proven technology and designed to last with minimal service and maintenance.
- » Features unique two-step, 5' grizzly deck to remove fines before crushing.
- » Includes removable electrical control panel featuring pre-wired receptacles for radial stackers.
- » Manage the feeder speed for complete control of the flow of material into the jaw with Variable Frequency Drive (VFD).
- » Includes wireless remote control for the feeder shutdown and all motor stop.



2036 JAW

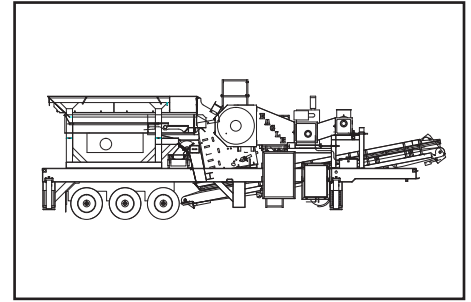
Eagle 2036 Portable Jaw Crusher



Features totally self-contained, reliable diesel/ electric or all-electric power.



Includes removable electrical control panel featuring pre-wired receptacles for radial stackers.



2036 EAGLE PORTABLE JAW CRUSHER TECHNICAL SPECIFICATIONS*

Model	
Crusher	2036
Operating Length	43' 10" / 13.4M
Gross Weight	67000lbs / 30400kg
Travel Length	39' 7" / 12.1M
Travel Width	8' 6" / 2.6M
Travel Height	13' 5" / 4.1M
Feed Hopper Capacity	11yd ³ / 8.4M ³
Feed Hopper Capacity (Tons)	14.9T / 13.5MT
Vibrating Feeder	16' x 32" / 4.9M x 0.8M
Feeder Grizzly Deck	60" long 2 step / 1524mm long 2 step
On-Plant Power Supply Diesel	200HP / 149kW diesel engine and 40kW generator
On-Plant Power Supply Electric	100HP or 150HP / 75kW or 112kW all-electric power
Discharge Conveyor Width	36" / 914mm

JAW CRUSHER SPECIFICATIONS*

Model	Weight (lbs / kg)	RPM	Eccentric Stroke (Inches / Millimeters)	Power Required (HP / kW)
2036	20900 / 9500	260	1.25 / 31.75	70 - 100 / 52 - 75

*Design specifications subject to change without notice.

Call 800-25-EAGLE (800-253-2453) or visit www.EagleCrusher.com
P.O. Box 537, Galion, OH 44833 • 419-468-2288 • fax: 419-468-4840 • email: sales@eaglecrusher.com

Rev 03/2020

EAGLE CRUSHER[®]

©2020 Eagle Crusher Company, Inc.