



E-PLANT® TRIPLE DECK

The revolutionary E-Plant is the industry's only true high production triple-deck screening/crushing system on one chassis—transportable in one pull—for the aggregate, asphalt, and recycling industries.

PRIMARY FEATURES

- 1 Tows in one pull. Jeep available where required. Check with your DOT.
 - » Screen/cross conveyors are positioned to allow convenient use of radial stackers.
 - » Screen products first before crushing, crush all products or crush with the grizzly product removed.
- 2 Triple-deck screening/crushing system enables processing of up to five products (including three spec products) at one time.
 - » Reversible cross conveyor enables return of two decks back to increase production well beyond 40 percent, compared to our industry-leading UltraMax® 1200-25 CC, with no increase in wear and maintenance costs.
- 3 Optional, easy-on, easy-off electro-magnet assembly.
 - » Features the industry's only LIFETIME ROTOR WARRANTY on its solid-steel, three-bar, sculptured rotor—the industry's heaviest—to keep you up and crushing.*

* North America only.

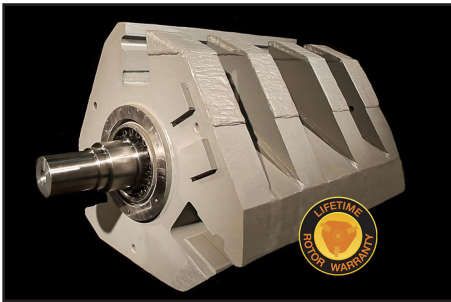


ADDITIONAL FEATURES

- » Easily transports with hydraulic folding conveyors.
- » Drop-in grizzly deck options.
- » Includes removable electrical control panel featuring pre-wired receptacles for radial stackers.
- » Control panel has interlocked controls with breakers for motor protection.
- » Replaces Jaw/Cone/Screen multi-unit systems for a much lower initial investment while maintaining a high production of cubical spec product. Greatly reduces maintenance and fuel costs and is easily transported.
- » Manage the feeder speed for complete control of the flow of material into the impactor and on return conveyor with Variable Frequency Drives (VFD).
- » Includes wireless remote control for the feeder shutdown and all motor stop.



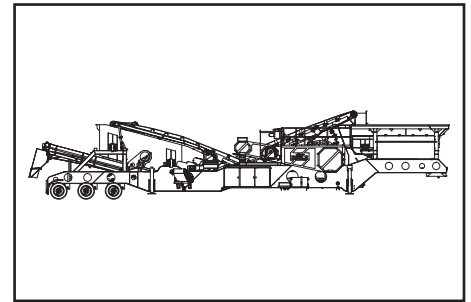
E-PLANT® TRIPLE DECK



Solid-steel, three-bar, sculptured rotor with LIFETIME ROTOR WARRANTY, North America only.



Screen products first before crushing, crush all products or crush with the grizzly product removed.



E-PLANT TRIPLE-DECK PORTABLE IMPACTOR PLANT TECHNICAL SPECIFICATIONS*

Model	
Impactor	UM-25
Operating Length	75' 10" / 23.1M
Gross Weight	126000lbs / 57150kg
Travel Length	72' 6" / 22.1M
Travel Width	11' 11" / 3.6M
Travel Height	13' 6" / 4.1M
Feed Hopper Capacity	17 yd ³ /23T / 13M ³ /20.9MT
Vibrating Feeder	18' x 45.5" / 5.5M x 1.2M
Feeder Grizzly Deck	5' / 1.5M long, two step
On-Plant Power Supply Diesel	340HP diesel engine and 100kW generator
On-Plant Power Supply Electric	250HP all-electric power
Crusher Discharge Conveyor Width	42" / 1067mm
Triple Deck Inclined Screen	5' x 16' / 1.5M x 4.9M
Top Screen Deck Cross Conveyor Width	18" / 452mm
Middle Screen Deck Reversing Cross Conveyor Width	18" / 452mm
Bottom Screen Deck Cross Conveyor (Hydraulic Fold) Width	24" / 610mm
Under Screen Conveyor Width	42" / 1067mm
Return Conveyor (Hydraulic Fold) Width	24" / 610mm

ULTRAMAX® IMPACTOR MODEL AND SPECIFICATIONS*

Model	Diameter x Width		Width x Height		Power Required (HP / kW)	Approx. Weight (lbs / kg)	Rotor Weight (lbs / kg)	Production Capacity**
	Rotor (Inches / Millimeters)	Feed Opening (Inches / Millimeters)	Width x Height	Power Required				
UM-25	47 x 47 / 1194 x 1194	48 x 34 / 1219 x 864	150 - 300 / 112 - 224	32500 / 14773	13000 / 5897	Varies by application.		

*Design specifications subject to change without notice.

**Contact your Eagle Sales Representative with your specific application for anticipated production capacity.

Call 800-25-EAGLE (800-253-2453) or visit www.EagleCrusher.com
P.O. Box 537, Galion, OH 44833 • 419-468-2288 • fax: 419-468-4840 • email: sales@eaglecrusher.com

Rev 05/2020

EAGLE CRUSHER®

©2020 Eagle Crusher Company, Inc.